

		EP 4 mm						EP 8 mm		
		3+1	4+1.5	5+1.5	4+2	5+3	6+2	6+3	8+3	10+3
250/2										
315/2	315/3									
400/2	400/3		5x10							
500/3	500/4									
630/2	630/3					5x12				
630/3	630/4									
800/2	800/3									
800/4	800/5								5x16	
1000/2	1000/3									
1000/4	1000/5						5x16			
1250/3	1250/4									5x18
1250/5	1250/6									

INSTALLATION METHOD

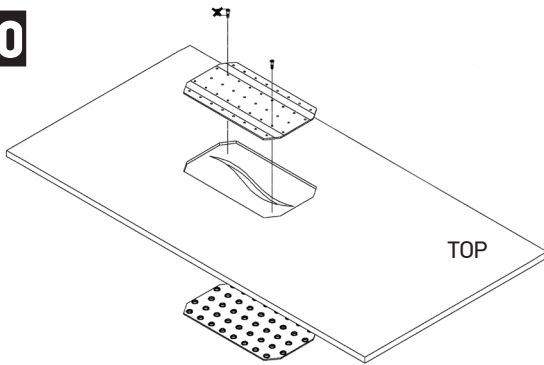


ref. 1990211

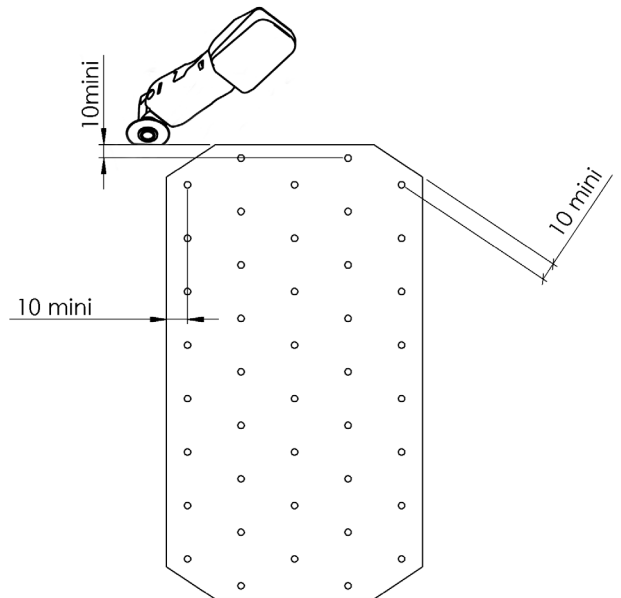
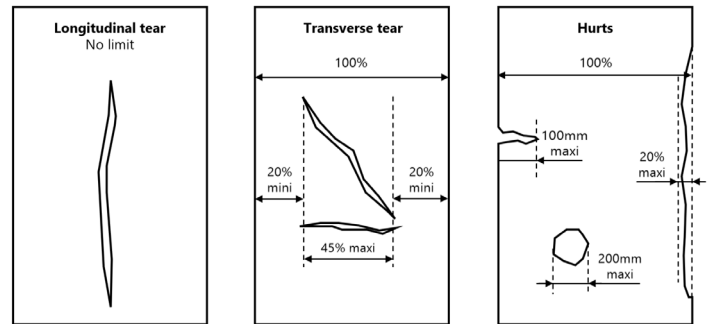
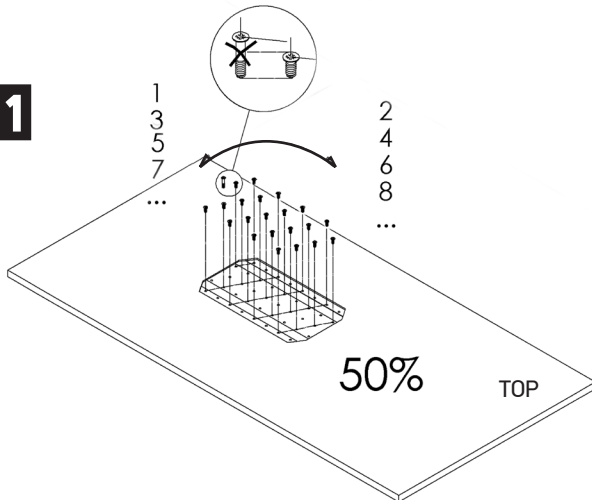
FOR FIX'N GO



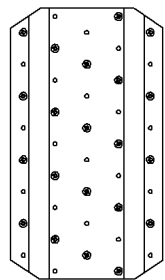
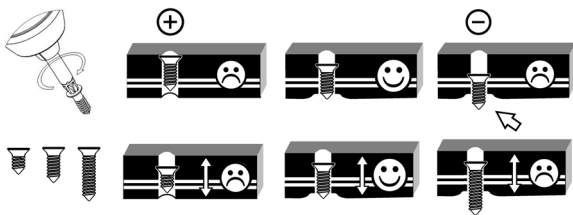
10



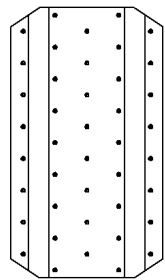
11



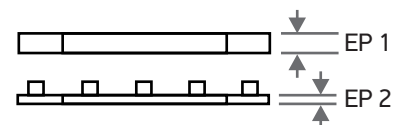
Warning	Screw	Speed	Tightening torque
	Ø5 mm	3	11 - 15



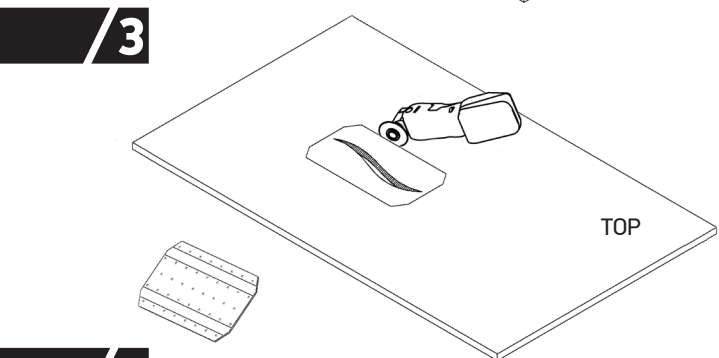
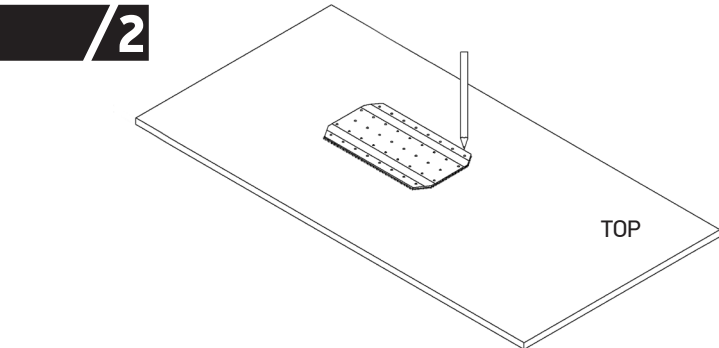
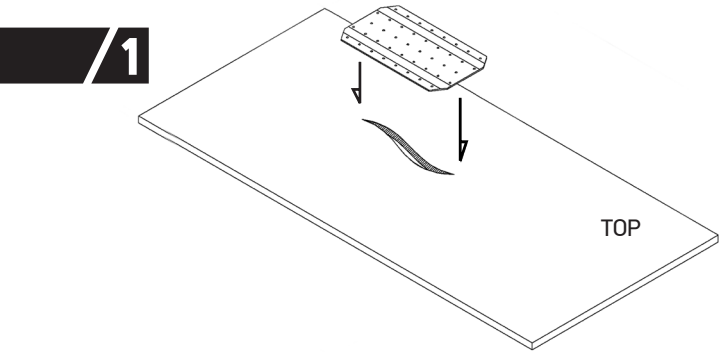
50%



100%

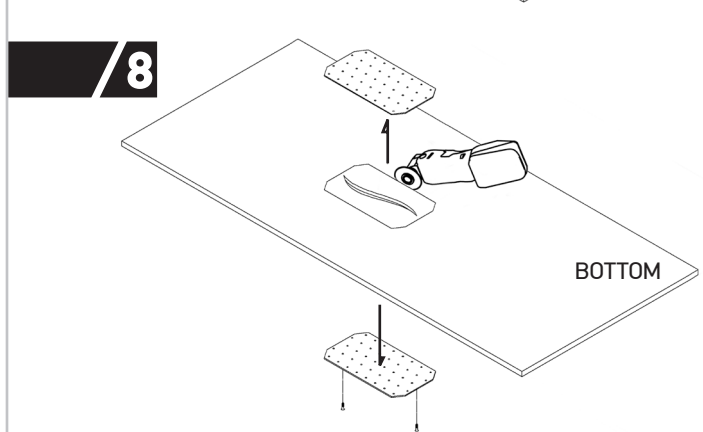
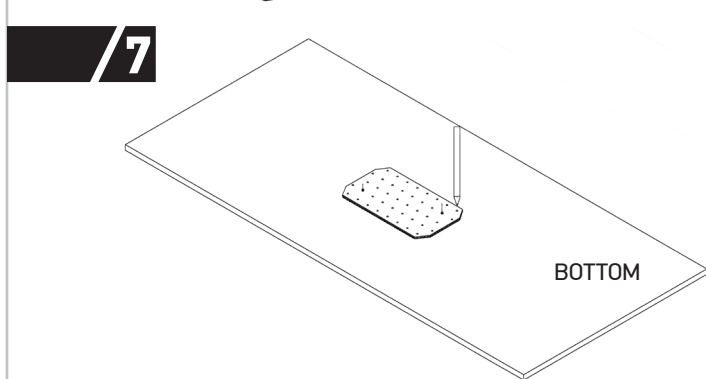
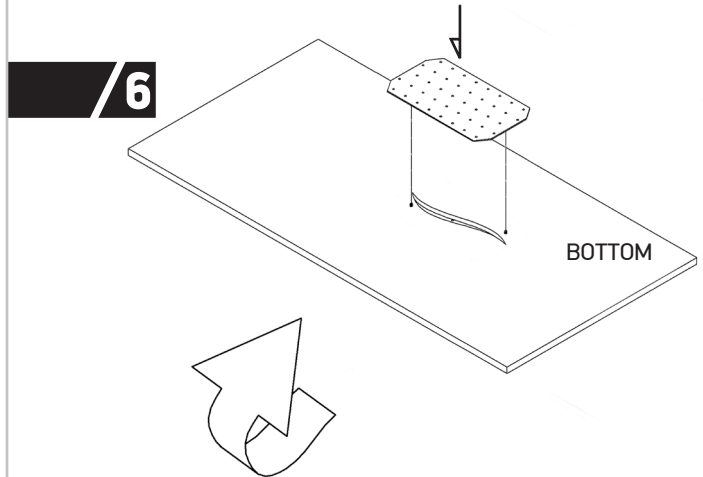
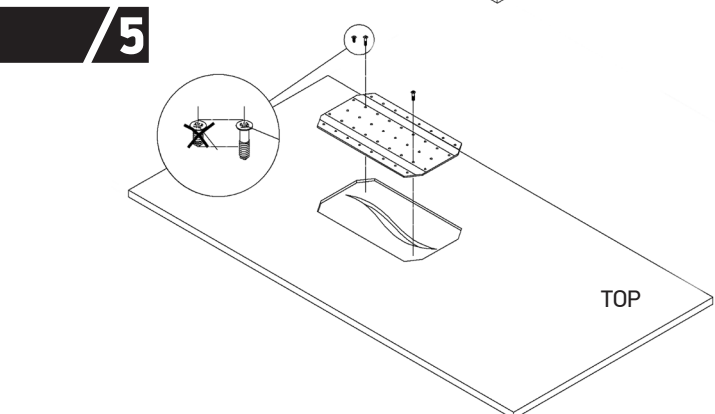
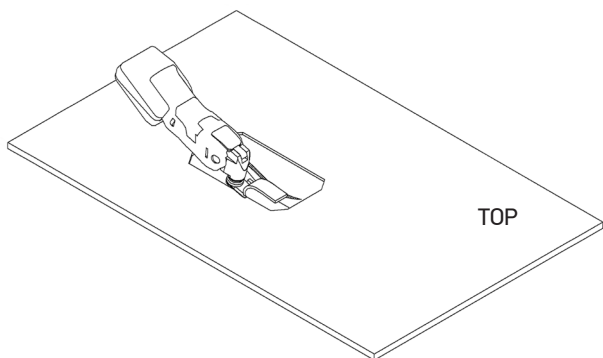


TB	mm	3+1	4+1.5	5+1.5	5+2	5+3	6+2	6+3	8+3	10+3
EP 1	mm	4						8		
EP 2	mm	3								



/4

TB1	mm	3	4	5	6	8	10
SB1	mm	3	4	4	4	8	8



/9

TB2	mm	1	1.5	2	3
SB2	mm			2	3

